



CL

Modular Clarifiers Capable of Pre-Treatment, Sewer Discharge or Recycling of Wash-Water

Models with Flow Rates up to 30 GPM

Self-Contained Yet Modular Flexibility

Above-Ground Design; No Large, Costly Pits

Most Uniquely Versatile System in America

■ A secret of the CL system is the effectiveness of the **ten Coalescing Cones**, which provide 90-490 sq.ft. of oleophilic or oil-loving polypropylene. The cone-shaped design forces the water to the edges of the tank creating the effect of water flowing from a 1-1/2 inch pipe into a 4-ft. tunnel. The reduction in velocity is dramatic and enhances the separation process causing oil droplets to group and float, solids to sink, and also prevents channeling.

■ Water exits the tank through a series of holes in a circular tube resulting in a more even water flow. The **Clean Water Manifold System** is located nearly three feet below the surface ensuring that oily water on the surface does not exit with the clean water.

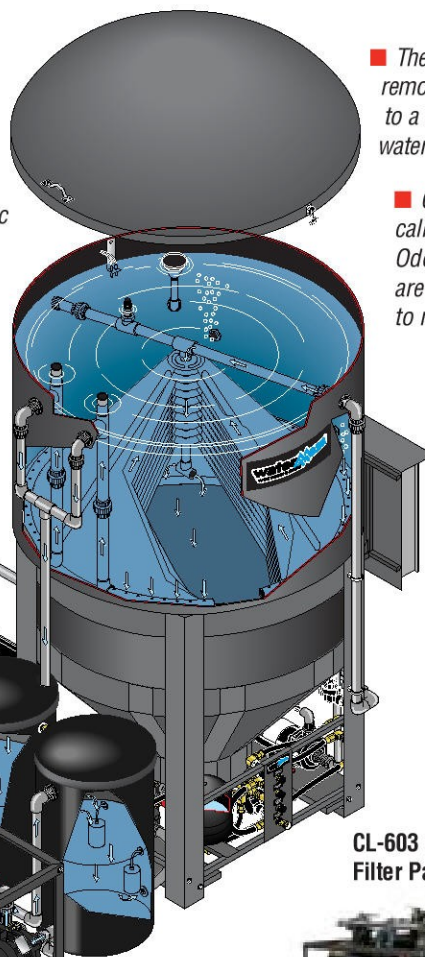
■ **Filter Pac III** provides additional filtration so water can be recycled; it has 330 lbs. of media, 300 lbs. of virgin activated carbon for hydrocarbon removal, and 500 sq. ft. of area of 5-20 micron cartridge filtration.

■ Filter Pac features a **Multi-Media Filter** with 330 lbs. of a proprietary blend of gravel, sand and anthracite, which delivers advanced filtration of suspended solids.

■ A heavy-duty **Durable Steel Frame** and railing is protected by an epoxy powder coat finish; stainless steel option available for extra harsh circumstances.

■ **Cartridge Filters** in the CL-304 and Pac III provide up to 500 sq.ft. of filtering area and removes suspended solids as small as 5 to 20 microns. The filter housing is extremely easy to access so elements can be removed, cleaned and reused at a minimal operational cost.

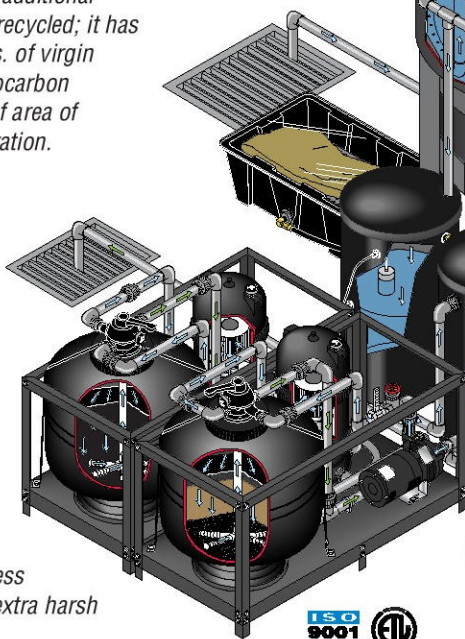
■ Two 65-Gallon, corrosion-resistant polyethylene **Storage Tanks** in the CL-603 hold clarified water.



■ The **Oil Surface Skimmer** continually removes floating oil, along with some water, to a decanter where the oil is trapped and the water is automatically returned to the system.

■ **Optional ORP/pH Controller** automatically monitors ORP/pH of wash water. Odor control and pH adjusting chemicals are added using chemical resistant pumps to maintain proper operating levels.

■ **Top-of-the-line, timer-controlled Series 400 Ozonator and Pump Assembly** injects 24 grams per day of bacteria and odor-killing ozone into waste stream using a mixing procedure that ensures up to 99% contact—far more effective than bubbling ozone into a tank of water. **Optional Corona Discharge Ozone Generator** produces up to 30 grams per day. (CL-304 uses a chlorinator)



CL-603 with Filter Pac III

■ A ball valve allows solid residue to flow into a container for mess-free **Sludge Disposal**. The wastewater is automatically drained back to the catch basin. **Optional autopurge**, automatically removes solids from the cone bottom tank.

■ A **Carbasorb Filter** in the Filter Pac has up to 300 lbs. of degassed, virgin activated carbon for removal of low levels of pesticides, solvents, benzenes, diesel fuels, acetones, and other hydrocarbons, as well as low levels of heavy metals; also backwashes easily.

■ An industrial-grade **Centrifugal Pump** returns the water for reuse and maintains a constant pressure of 30-50 psi in the return line.

CL

Modular Clarifiers Capable of Pre-Treatment, Sewer Discharge or Recycling of Wash-Water

Flow Rates of up to 30 GPM | Compact Footprint | Self-Contained Yet Modular Flexibility | Above Ground Design



■ **CL-603 with Filter Pac III**
Recycle System



■ **CL-304 Extra-Compact**
Recycle System



■ **CL-600 Discharge**
System



■ **CL-30 Pre-Treatment**
Solids Separator

NOTE: We are constantly improving and updating our products. Consequently, pictures, features and specifications in this brochure may differ slightly from current models. Water Maze is not responsible for procurement of regulatory, operation and/or discharge permits that may be required by city, county, state or federal agencies for particular uses of the Water Maze product line. The customer is responsible for procuring any hazardous or non-hazardous regulatory, operating and/or discharge permits for complying with codes or other governmental requirements associated with the installation, use, or disposal of waste associated with the Water Maze product line.

WHY THE CL IS AMERICA'S MOST VERSATILE WATER TREATMENT SYSTEM

No other wash-water treatment system is as versatile and modular as the Water Maze CL.

The four models can stand alone or, in some cases, be matched with a Filter Pac module to serve as a solids separator, a treat-and-discharge unit or even a recycle system.

- The CL-603 is a full recycling system when matched with the modular Filter Pac III.

- The CL-304 serves as an extra-compact and affordable recycling system engineered to fit on a single platform.

- The CL-600 discharges to the sanitary sewer.

- The CL-30 is ideal as a solids separator in pre-treatment.

The Water Maze Filter Pac III offers additional filtration for meeting the environmental and water conservation needs of most wash-water applications.

CL Specifications	RECYCLE*	RECYCLE	DISCHARGE	SOLIDS SEPARATOR
MODEL	CL-603A, B, C	CL-304A, B, C	CL-600D	CL-30A, B, C
Maximum Flow Rate	1 - 30 GPM	1 - 5 GPM	1 - 30 GPM	1 - 30 GPM
Oil/Water Separator Cap.	600 gal.	300 gal.	600 gal.	600 gal.
Electrical Configuration	A 230V 1ph 22A B 230V 3ph 10A C 460V 3ph 8A	230V 1ph 15A 230V 3ph 9A 460V 3ph 5A	120V 1ph 20A	230V 1ph 4.6A 230V 3ph 3.5A 460V 3ph 3.0A
Solids Separator Chamber	yes	yes	yes	yes
Sanitizing Method	Ozone, Series 400	Chlorination	Ozone, Series 400	N/A
Coalescing Pack	490 sq.ft.	94 sq.ft.	490 sq.ft.	90 sq.ft.
Holding Tanks	65 gal.	40 gal.	N/A	165 gal. (Clarified)
Dimensions (L x W x H)	60" x 83" x 106"	72" x 72" x 90"	60" x 83" x 106"	60" x 83" x 106"
Net Dry Weight (approx)	975 lbs.	1545 lbs.	835 lbs.	825 lbs.

* Must add Filter Pac III in order to recycle wash water with this model

Filter Pac III Specs

MODEL	Pac III - 30-778
Maximum Flow Rate	30 GPM
Electrical Config	D/A 120/230V 1ph 21.0/10.5A B/C 230/460V 3ph 5.6/2.8A
Media Filter	330 lbs.
Filter Pump	1.5 HP
Cartridge Filter	500 sq.ft.
Carbon Filter	300 lbs.
Dimensions (LxWxH)	61" x 61" x 46"
Ship Weight (approx)	990 lbs.

Distributed by:



HPI PROCESSES, Inc.
1030 Revenue Dr., Telford, PA 18969

Phone : 1-215-799-0450
Fax : 1-215-799-0459
Toll-Free : 1-888-733-2832
www.hpipro.com

OPTIONS INCLUDE: Auto Purge system that automatically removes solids from cone-bottom tank (not applicable to CL-30); advanced digital ORP/pH Controller for optimum wash-water management; corona discharge Ozone Generator

See your Water Maze Dealer for part numbers and pricing.

waterMaze.
WATER TREATMENT SYSTEMS

8.914-157.0 Effective 2/08 800-347-6116 Fax: 800-535-9164 info@wmaze.com
Specifications and product descriptions subject to change without notice. © 2008

www.wmaze.com